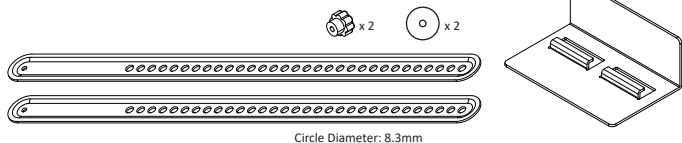


VB-WMK-002

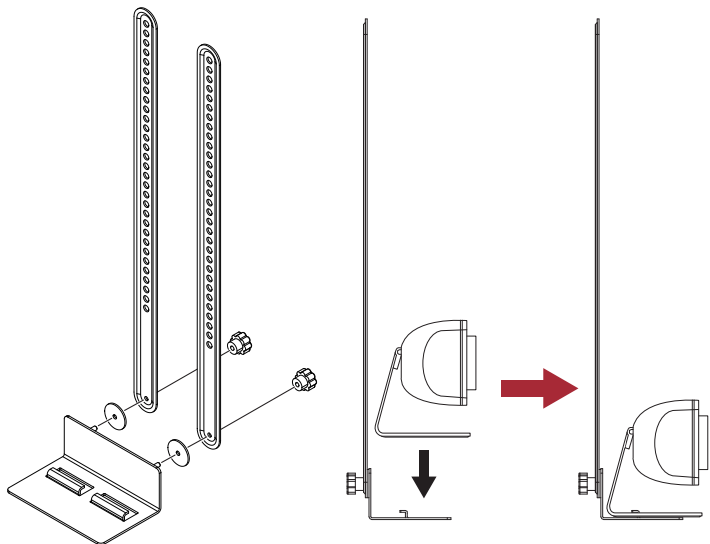
Wall Mount

Quick Start Guide

1 Contents



2 Assemble

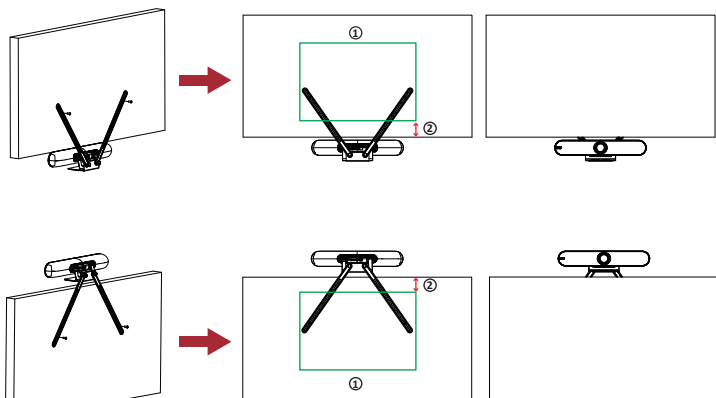


VB-WMK-002

Wall Mount

Quick Start Guide

3 Installation



- ① Mounting Pattern: UP to 800 x 600 mm
 ② Reserved Space: UP to 210 mm



Asia Pacific & Africa				Americas			
Australia	www.viewsonic.com/au/	Bangladesh	www.viewsonic.com/bd/	United States	www.viewsonic.com/us 1-800-588-6688	Canada	www.viewsonic.com/us 1-866-463-4775
中国 (China)	www.viewsonic.com.cn 4008 988 188	香港 (繁体中文)	www.viewsonic.com/hk/	Latin America	www.viewsonic.com/la		
Hong Kong (English)	www.viewsonic.com/hk-en/	India	www.viewsonic.com/in/				
Indonesia	www.viewsonic.com/id/	Israel	www.viewsonic.com/il/	Europe			
日本 (Japan)	www.viewsonic.com/jp/	한국	www.viewsonic.com/kr/	Europe	www.viewsonic.com/eu/	+49-0821-45057383	
Malaysia	www.viewsonic.com/my/	Middle East	www.viewsonic.com/me/	Deutschland	www.viewsonic.com/de/		
Myanmar	www.viewsonic.com/mm/	Nepal	www.viewsonic.com/np/	Россиа	www.viewsonic.com/ru/		
New Zealand	www.viewsonic.com/nz/	Pakistan	www.viewsonic.com/pk/	Türkiye	www.viewsonic.com/tr/		
Philippines	www.viewsonic.com/ph/	Singapore	www.viewsonic.com/sg/	United Kingdom	www.viewsonic.com/uk/		
臺灣 (Taiwan)	www.viewsonic.com/tw/	ประเทศไทย	www.viewsonic.com/th/	France	www.viewsonic.com/fr/		
Viet Nam	www.viewsonic.com/vn/	South Africa & Mauritius	www.viewsonic.com/za/	Қазақстан	www.viewsonic.com/kz/		
				España	www.viewsonic.com/es/		
				Укpaїна	www.viewsonic.com/ua/		